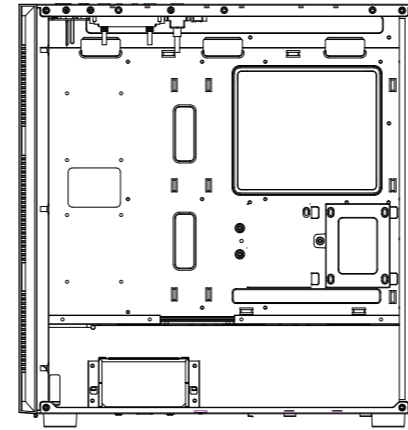
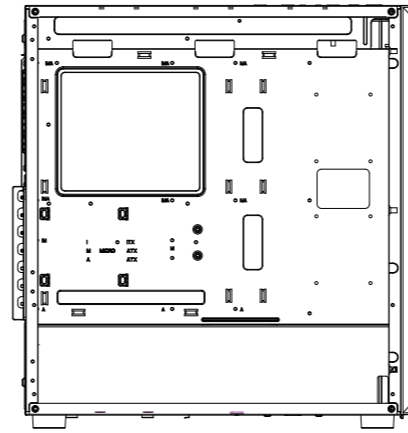


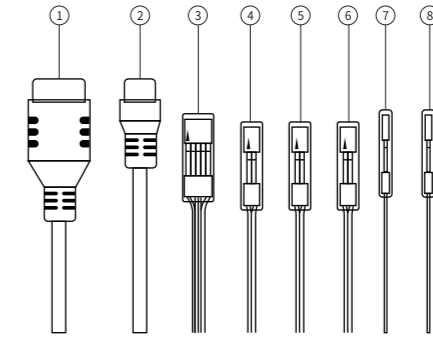
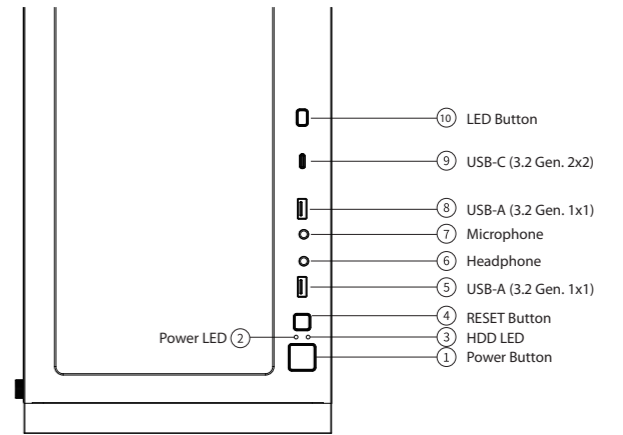
# LCPOWER™

www.lc-power.com

<b>Model</b>	Gaming 810B - Dark_Crawler_X / Gaming 810W - Bright_Crawler_X
<b>M/B Type</b>	Support E-ATX, ATX, Micro-ATX, Mini-ITX
<b>Internal Bays</b>	up to 3x 3,5" HDD & up to 5x 2,5" SSD
<b>Front I/O Panel</b>	1x USB-C (3.2 Gen. 2x2), 2x USB-A (3.2 Gen. 1x1), HD Audio, Power SW, Reset SW, LED SW
<b>Front Cooling Fan</b>	3x 120 mm/140 mm fan or 1x 240/280/360mm water cooling radiator
<b>Rear Cooling Fan</b>	1x 120 mm fan or 1x 120 mm water cooling radiator
<b>Top Cooling Fan</b>	3x 120 mm or 2x 140 mm fan or 1x 240/280/360 mm water cooling radiator
<b>PCI Slot</b>	7 (horizontal/screwable) + 2 (vertical/screwable)
<b>Graphic Card Length</b>	up to 400 mm
<b>CPU Cooler Height</b>	up to 155 mm
<b>Supported Power Supply</b>	ATX PSU
<b>Cable management</b>	behind mainboard tray, up to 18 mm
<b>Dimension</b>	487 x 205 x 480 mm (including front panel)
	467 x 205 x 430 mm (excluding front panel)



### User Interface

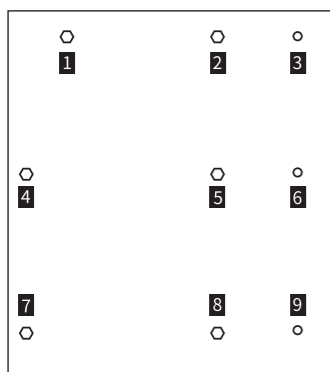


- 1 USB-A (3.2 Gen. 1x1)
- 2 USB-C (3.2 Gen. 2x2)
- 3 HD Audio
- 4 Power Switch
- 5 Reset Switch
- 6 HDD LED
- 7 Power LED +
- 8 Power LED -

### Accessories

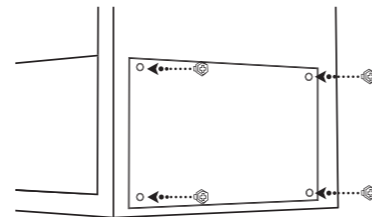
Type	Description	Quantity
1	Mainboard standoffs	3 pcs
2	Screws for power supply (PSU) / GPU / PCI slot	6 pcs
3	Screws for mainboard / 2,5" SSD	18 pcs
4	Screws for 3,5" HDD	9 pcs
5	Screws for GPU card on first PCI slot	2 pcs
6	Plastic spacer for fixing mainboard	3 pcs

### Mainboard installation



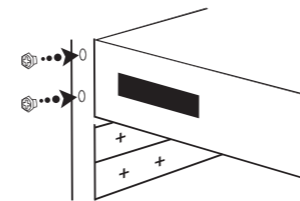
- M/B Support
- E-ATX   ATX   M-ATX   ITX
- Open the left side panel, install the I/O shield
  - Install the mainboard standoffs (type 1) and plastic spacer (Type 6) at the corresponding positions according to the mainboard model.
  - Insert the mainboard and secure with screws (type 3)

### Power Supply installation



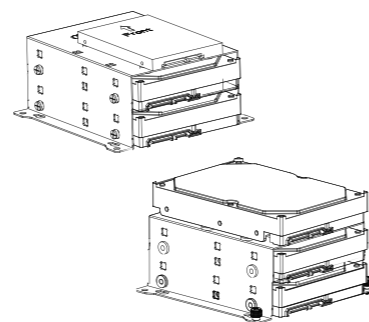
- Open the right side panel
  - The face down the fan of the PSU, then slide in the PSU into the power compartment.
  - Secure the PSU with 4x screws (type 2)
- \* Please refer to the power supply manual for the power cable connection method.

### GPU installation



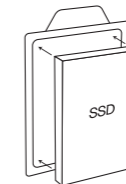
- Remove metal plates on PCI slots
- Insert GPU card
- Secure the GPU card with screw (Type 5) on 1st PCI slot
- Secure the GPU card with screw (Type 2) on 2-7 PCI slot

### HDD/SSD installation in HDD/SSD bracket



- Remove the right side panel
- Remove the HDD/SSD bracket out of the case (bottom) and slide the HDD tray out of the bracket
- Secure the HDD or SSD to the trays with screws (Type 4 or Type 3)
- Install the HDD/SSD bracket back to the case
- Secure the HDD bracket with thumb screws

### SSD installation behind main board plate (optional)



- Remove right side panel and find the SSD brackets
- Remove the SSD brackets by unsecure the screw
- Secure the SSD at the back side of mainboard tray with 4x screws (Type 3)
- Secure the SSD bracket with thumb screw

### Service & notes

Avoid direct sunlight and a high temperature environment, keep the case far away from fire and heat sources. Keep it in dry places, keep it away from corrosiveness causing materials.

The product has a two year warranty period from the date of purchase, service issues will be handled by your dealer. If the case is damaged due to improper operation, the warranty period expires immediately.

Check [www.lc-power.com](http://www.lc-power.com) or contact us by e-mail at: [service@lc-power.com](mailto:service@lc-power.com).

Silent Power Electronics GmbH  
 Formerweg 8, 47877 Willich, Germany  
[www.lc-power.com](http://www.lc-power.com) / [service@lc-power.com](mailto:service@lc-power.com) / [support@lc-power.com](mailto:support@lc-power.com)