

# LG POWER

User manual

**Gaming 986B – Dark Shadow**

**Gaming 986S – White Shadow**



Thank you for purchasing this case from LC-Power.

Please read this manual before usage.

Specifications may be subject to change without prior notice.

## 1. Specification

Size	482 x 223 x 467 mm (h x w x d)
M/B	ATX / micro ATX / mini ITX
HDD	5x 3.5" HDD; 3x 2.5" HDD/SSD
PSU	ATX
Fans	Front: 3x 120 mm Top: 2x 120 mm Inside: 1x 120 mm Back: 1x 120 mm
Water cooling (if no fans are mounted)	Front: 360 mm Top: 240 mm Rear: 120 mm
Expansion Slots	7
Screw bags	Cable tie 80mm====>3pcs MB Stand off 6# 5H 8*4.5L====>10pcs M3*5====>6pcs(2.5"HDD*6) Black screws for side panel M4*5====>8pcs

	M5*10 TP3==>16pcs(FAN*16) 6#*4==>27pcs(MB*10,3.5"HDD*13,Power*4)
--	---

## 2. Installation

2-1.1 Open the box



2-1.2 Take out the glass side panels 2-1.3 Take out the chassis



2-2.1 Front case fan installation



- 1) Unscrew the bracket from the chassis
- 2) Fix the fans or the water cooling to the bracket
- 3) Screw the bracket back to the chassis



### 2-3 Top case fan installation

Press the fans to the top bracket to fix it

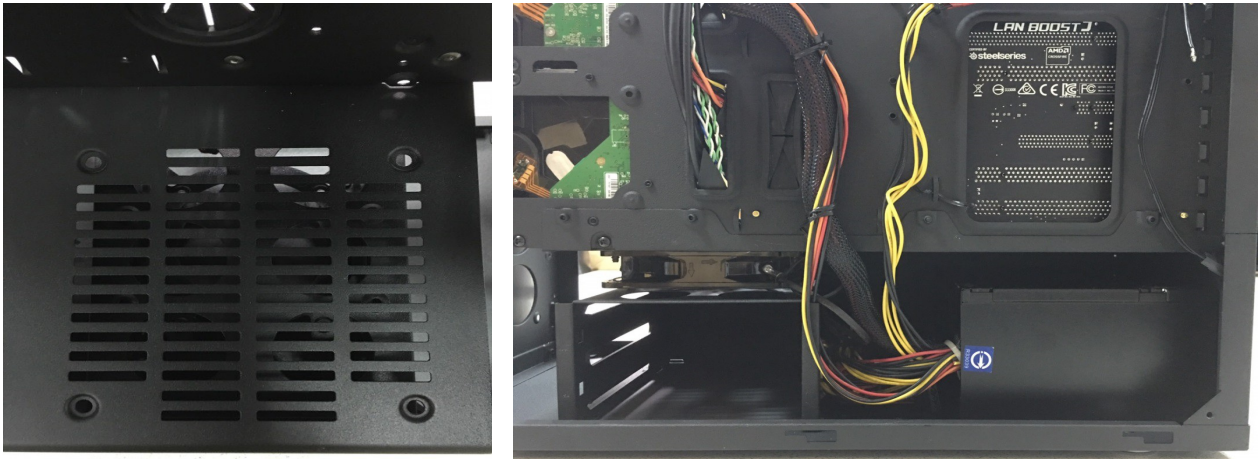


### 2-4. 3.5" HDD installation

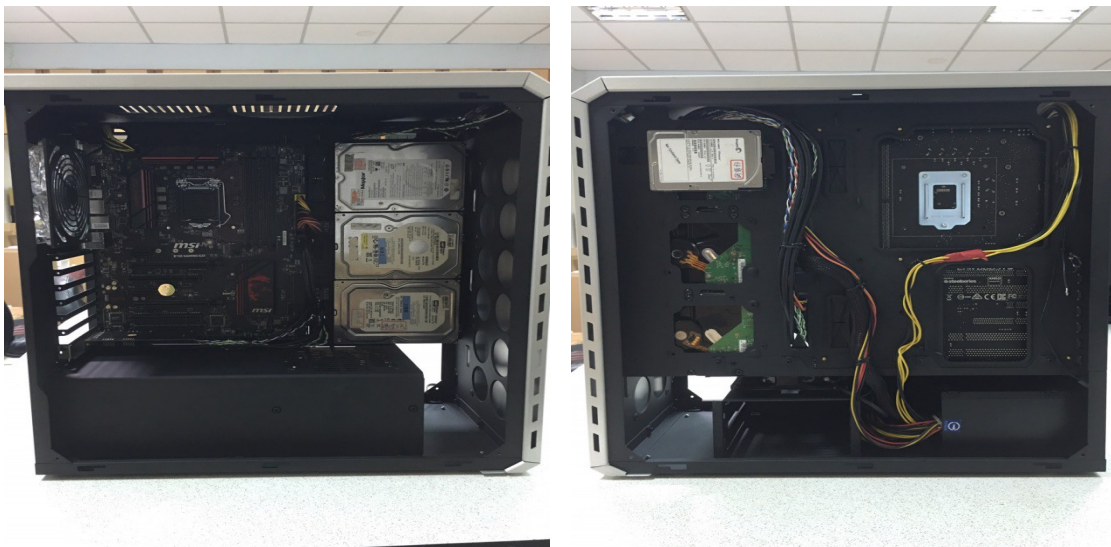
Press the HDD into the bracket to fix it



2-5. 1 Fan installation on the back side of the HDD bracket



2-5.2 Mainboard installation with stand-off am screws



#Additional 3x 3.5" HDD on MB tray

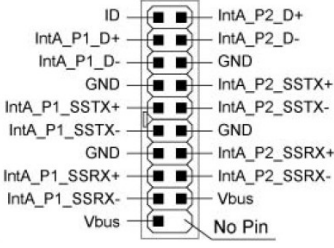
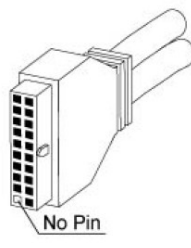
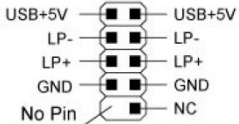

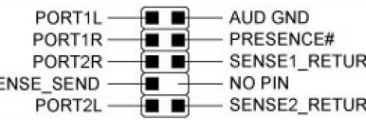
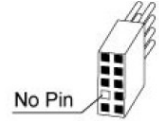
# Additional 3x 2.5" HDD/SSD on MB tray

2-6 Tempered glasses side panel installation

Align 4 screw holes to washer and fasten screws



## 2. Front I/O Connector

Motherboard	Case cable connector
USB 3.0	
 <p>           ID — IntA_P2_D+            IntA_P1_D+ — IntA_P2_D-            IntA_P1_D- — GND            GND — IntA_P2_SSTX+            IntA_P1_SSTX+ — IntA_P2_SSTX-            IntA_P1_SSTX- — GND            GND — IntA_P2_SSRX+            IntA_P1_SSRX+ — IntA_P2_SSRX-            IntA_P1_SSRX- — Vbus            Vbus — No Pin         </p>	 <p>No Pin</p>
USB 2.0	
 <p>           USB+5V — USB+5V            LP- — LP-            LP+ — LP+            GND — GND            No Pin — NC         </p>	 <p>No Pin</p>
HD Audio	
 <p>           PORT1L — AUD GND            PORT1R — PRESENCE#            PORT2R — SENSE1_RETURN            SENSE_SEND — NO PIN            PORT2L — SENSE2_RETURN         </p>	 <p>No Pin</p>

The product has a two year warranty period from the date of purchase, service issues will be handled by your dealer.

If the case is damaged due to improper operation, the warranty period expires immediately.

Check [www.lc-power.com](http://www.lc-power.com) or contact us by e-mail at [support@lc-power.com](mailto:support@lc-power.com).

Silent Power Electronics GmbH

Formerweg 8

47877 Willich

Germany

